



AB Series Oil-free Screw Air Compressors

Oil-free air for all sustainable air needs

ELGI

Always Better.

UPTIME™
ASSURANCE



OILFREE™
CLASS-0 ISO 8573-1



CIN: L29120TZ1960PLC000351

www.elgi.com

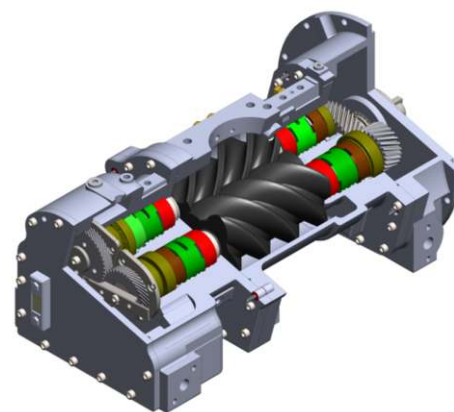
30 – 90kW / 133 – 485 cfm

Water Injected Technology

ELGi is one of the very few compressor companies to design and manufacture oil-free airends for water injected technology. With in-house water injected technology, the compressors are engineered to deliver maximum uptime and reliability. ELGi's unique eta-V rotor design reduces pressure losses and increases stage efficiencies, leading to an optimized compressed air system.

Optimized component layout of the AB series provides easy serviceability with reduced service time. Incorporating superior safety norms, the compressors have not only low energy losses and low air outlet temperatures but are also highly reliable and compact. All these advanced features integrated into one simple design that drives maximum Reliability and Uptime.

With its SS rotors and pure form of water after the compression, the water injected screws are the ultimate replacement of the conventional oil free machine for sensitive applications like pharmaceuticals, food processing and beverages wherein presence of oil vapour and moisture is intolerable.



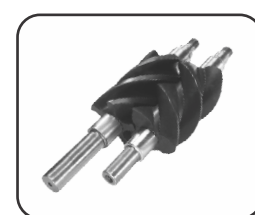
Low life cycle cost- High energy efficiency design delivering maximum UPTIME and lower cost of ownership.

Technical Specification

Model	Nominal Power	FAD		Dimension	Weight
	kW	CFM	m ³ /min	L x W x H (mm)	Kg
415V / 380V- 50 Hz – 7.0 bar(g) Working Pressure					
AB30-7	30	180	5.1	2330 x 1241 x 1865	1700
AB37-7	37	216	6.1	2330 x 1241 x 1865	1700
AB45-7	45	255	7.2	2330 x 1241 x 1865	1700
AB55-7	55	338	9.6	2830 x 1876 x 1975	3430
AB75-7	75	437	12.4	2830 x 1876 x 1975	3430
AB90-7	90	485	13.7	2830 x 1876 x 1975	3430
415V / 380V- 50 Hz – 8.0 bar(g) Working Pressure					
AB30-8	30	158	4.5	2330 x 1241 x 1865	1700
AB37-8	37	200	5.7	2330 x 1241 x 1865	1700
AB45-8	45	230	6.5	2330 x 1241 x 1865	1700
AB55-8	55	304	8.6	2830 x 1876 x 1975	3430
AB75-8	75	397	11.2	2830 x 1876 x 1975	3430
AB90-8	90	440	12.5	2830 x 1876 x 1975	3430
415V / 380V- 50 Hz – 9.0 bar(g) Working Pressure					
AB30-9	30	148	4.2	2330 x 1241 x 1865	1700
AB37-9	37	170	4.8	2330 x 1241 x 1865	1700
AB45-9	45	201	5.7	2330 x 1241 x 1865	1700
AB55-9	55	279	7.9	2830 x 1876 x 1975	3430
AB75-9	75	372	10.5	2830 x 1876 x 1975	3430
AB90-9	90	410	11.6	2830 x 1876 x 1975	3430
415V / 380V- 50 Hz – 10.0 bar(g) Working Pressure					
AB30-10	30	133	3.8	2330 x 1241 x 1865	1700
AB37-10	37	162	4.6	2330 x 1241 x 1865	1700
AB45-10	45	198	5.6	2330 x 1241 x 1865	1700
AB55-10	55	255	7.2	2830 x 1876 x 1975	3430
AB75-10	75	343	9.7	2830 x 1876 x 1975	3430
AB90-10	90	390	11.0	2830 x 1876 x 1975	3430

Note:

- Free Air Delivery (FAD) are tested as per ISO 1217 : 2009 - Annex C | • FAD indicated is for the full package measured at the outlet | • All mentioned packages are air cooled models only.
- Weight indicated is approximate and actual can vary significantly | • Due to continuous improvements, specifications are subject to change without prior notice
- Displayed here is the standard range. For customized packages with different voltages, medium and high voltage motor, pressure variants please contact our nearest sales office
- All standard packages can be offered with built in VFD. Please contact our nearest sales office for specifications
- All motors can be supplied for various country standards like ABNT, NEMA and IEC however packages (dimension & weight) may vary



Indigenously developed SS rotors with “proprietary” rotor coatings



The water quality meets IS:10500-2012 specification and is of pure form.



The inlet valve is integrated with blow-down unit, solenoid controls and actuators



ELGI EQUIPMENTS LIMITED

Singanallur, Coimbatore - 641 005, India. T: +91-422-2589555
E: enquiry@elgi.com | Toll-free no.: 1800-425-3544

Follow us on



THE COMPRESSED AIR JOURNAL